

Cantilever parasol 4×4 m with base

Base dimensions

85 × 85 × 16 cm (L × W × H)

Scope of delivery

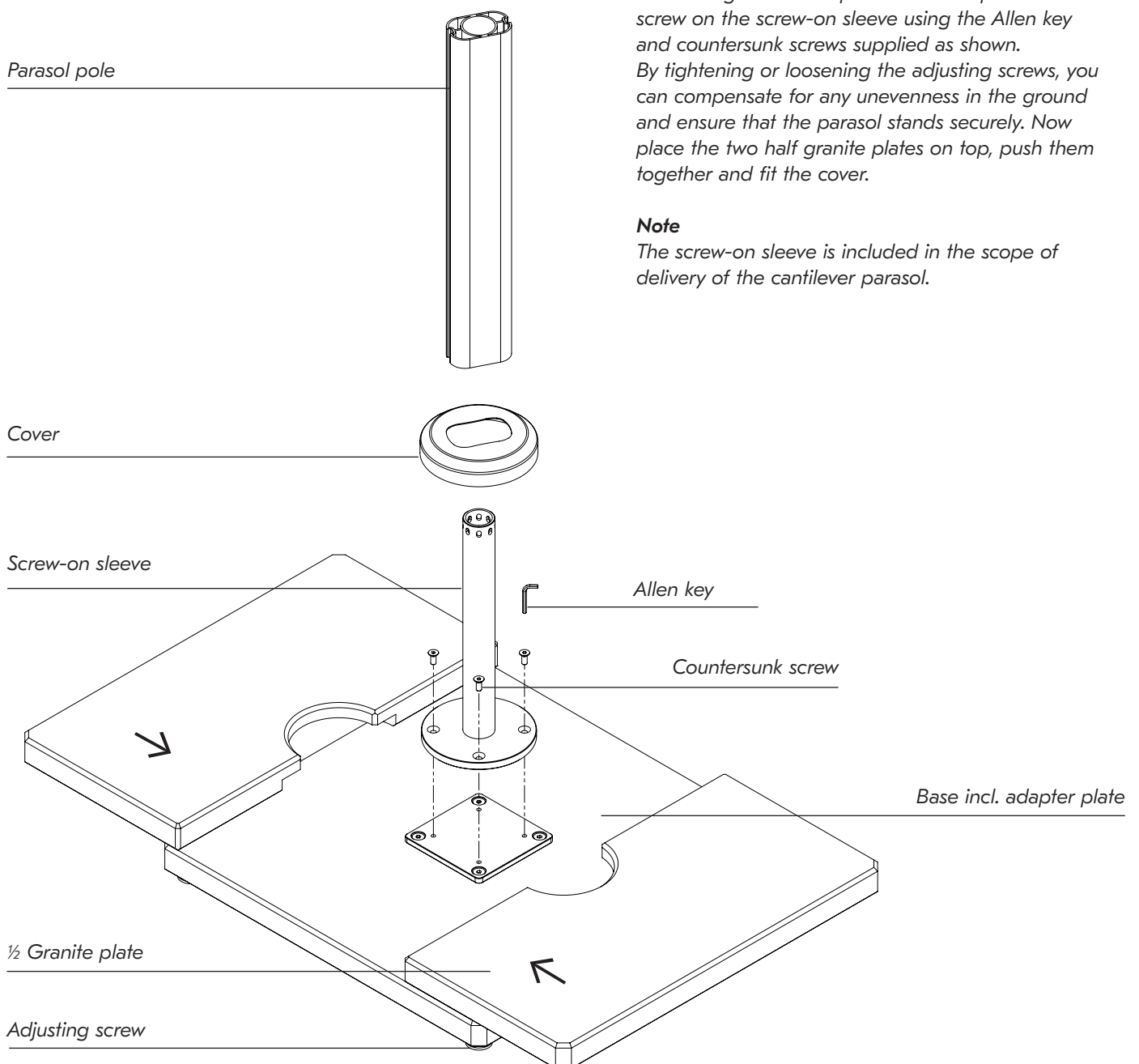
1 × Base incl. adjustable feet, 2 × ½ granite plates

Instructions

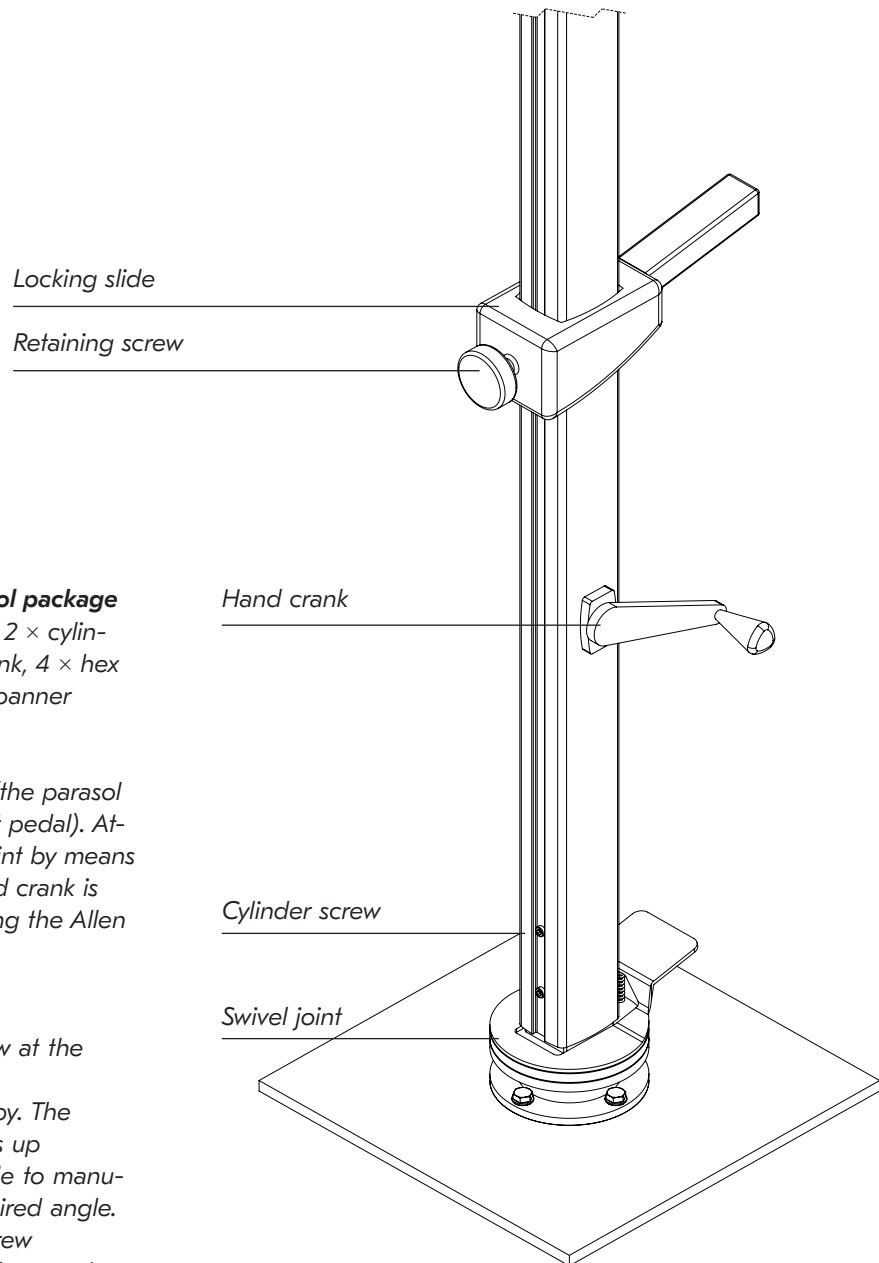
Place the granite base plate in its final position and screw on the screw-on sleeve using the Allen key and countersunk screws supplied as shown. By tightening or loosening the adjusting screws, you can compensate for any unevenness in the ground and ensure that the parasol stands securely. Now place the two half granite plates on top, push them together and fit the cover.

Note

The screw-on sleeve is included in the scope of delivery of the cantilever parasol.



Cantilever parasol operation



Scope of delivery of cantilever parasol package

1 × cantilever parasol, 1 × swivel joint, 2 × cylinder screw, 1 × Allen key, 1 × hand crank, 4 × hex screw, 4 × washer, 1 × open-ended spanner

Assembly

Place the parasol on the swivel joint (the parasol must be on the same side as the foot pedal). Attach the parasol pole to the swivel joint by means of the cylinder head screws. The hand crank is fitted onto the pin and tightened using the Allen key.

Open parasol

1. Slightly loosen the retaining screw at the parasol pole
2. Crank to open the parasol canopy. The locking slide automatically moves up
3. You can now use the locking slide to manually adjust the parasol to the desired angle. Finally fix it with the retaining screw
4. You can rotate the parasol 360° by pressing the step pedal

Note

When the parasol is closed, tie only the canopy (without the pole) with the tie straps.