

ASSEMBLY INSTRUCTIONS

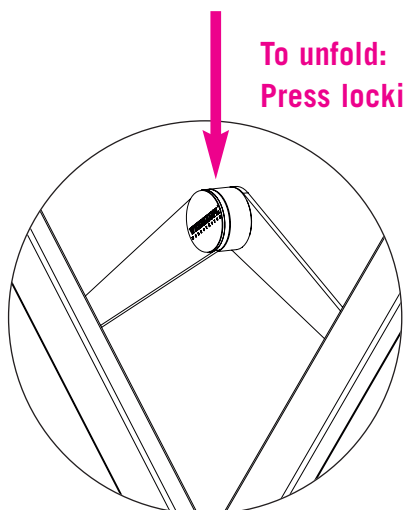
AHOI CHAIR

Scope of delivery:

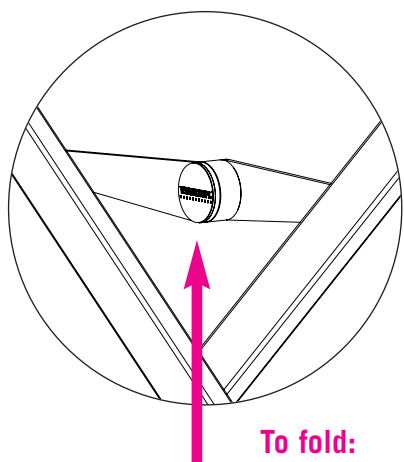
Ahoi chair, folded

Operation:

Pull the two armrests apart to unfold the chair. Press the two locking bars at the front and rear into place as far as the limit stop. To re-fold the chair, push the two locking bars upward again.



To unfold:
Press locking bar downward



To fold:
Press locking bar upward

