

## ASSEMBLY INSTRUCTIONS

# GROUND SLEEVE FOR CANTILEVER UMBRELLA – FOUNDATION FOR 4 X 4 M UMBRELLA MODEL

Foundation dimensions:  
L 60 x B 60 x H 50 cm

### CAUTION:

Note the arrow marking when setting the ground sleeve in concrete. The arrow must point towards the area to be shaded.

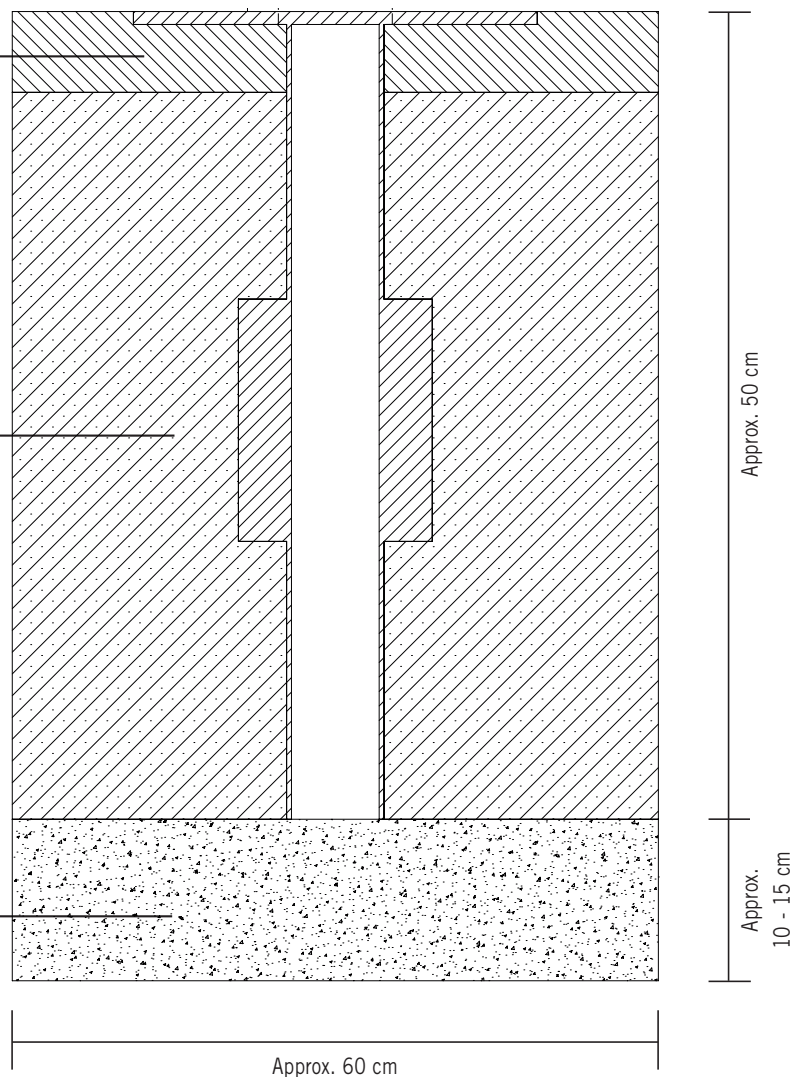
SEE DRAWING ON THE REVERSE SIDE

### SURFACING MATERIAL

### CONCRETE

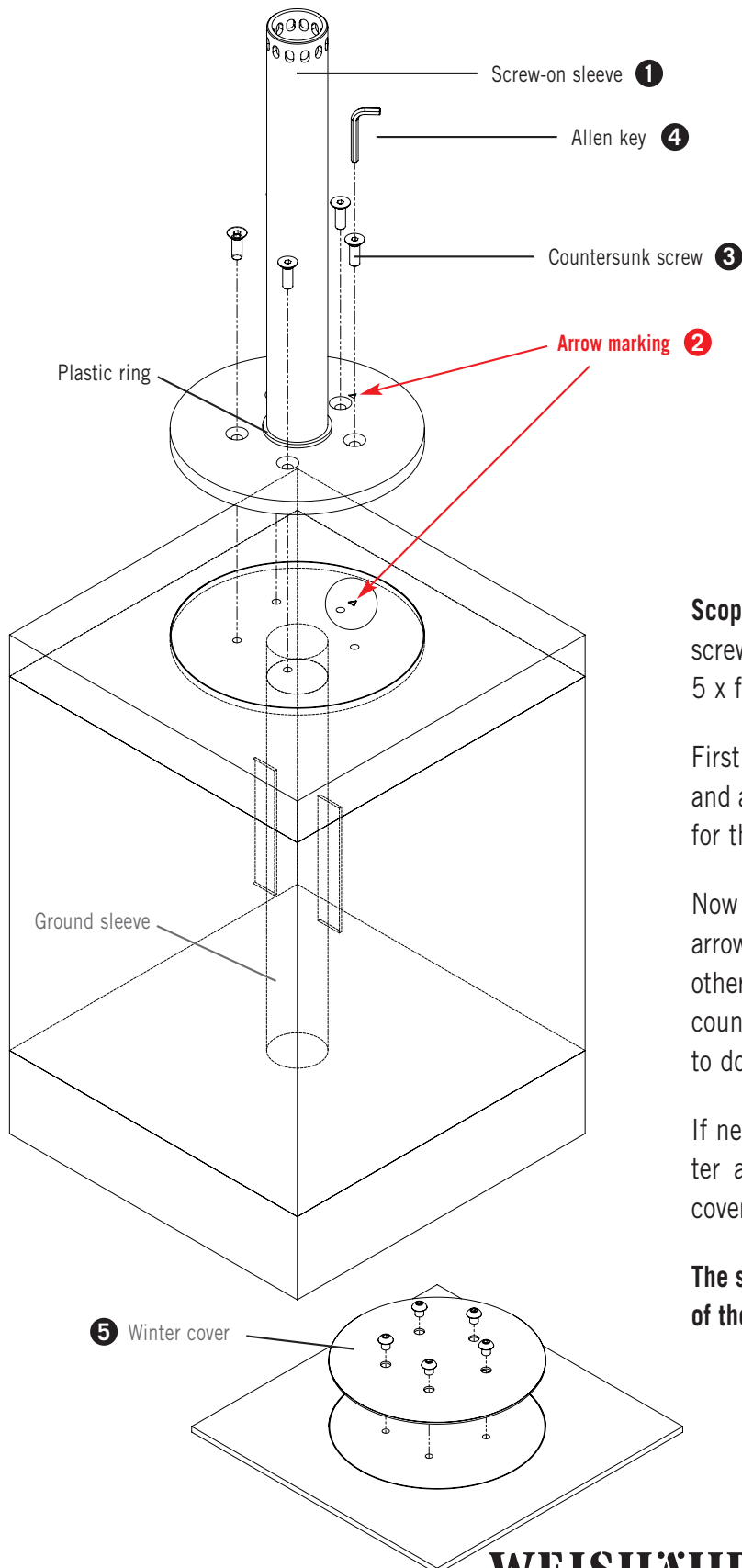
Ready-mix concrete (DIY store) is sufficient, otherwise lean concrete. Setting time: at least 24 – 36 hours, ideally 48 hours.

### GRAVEL BED



## ASSEMBLY INSTRUCTIONS

# GROUND SLEEVE FOR CANTILEVER UMBRELLA – FOUNDATION FOR 4 X 4 M UMBRELLA MODEL



### CAUTION:

Note the arrow marking when setting the ground sleeve in concrete. The arrow must point towards the area to be shaded.

**Scope of delivery:** 1 x ground sleeve, 5 x countersunk screw M10 x 30 mm, 1 x Allen key, 1 x winter cover, 5 x fillister head screw M10 x 16 mm

First set the ground sleeve in concrete as described and as shown in the diagram and allow sufficient time for the concrete to set.

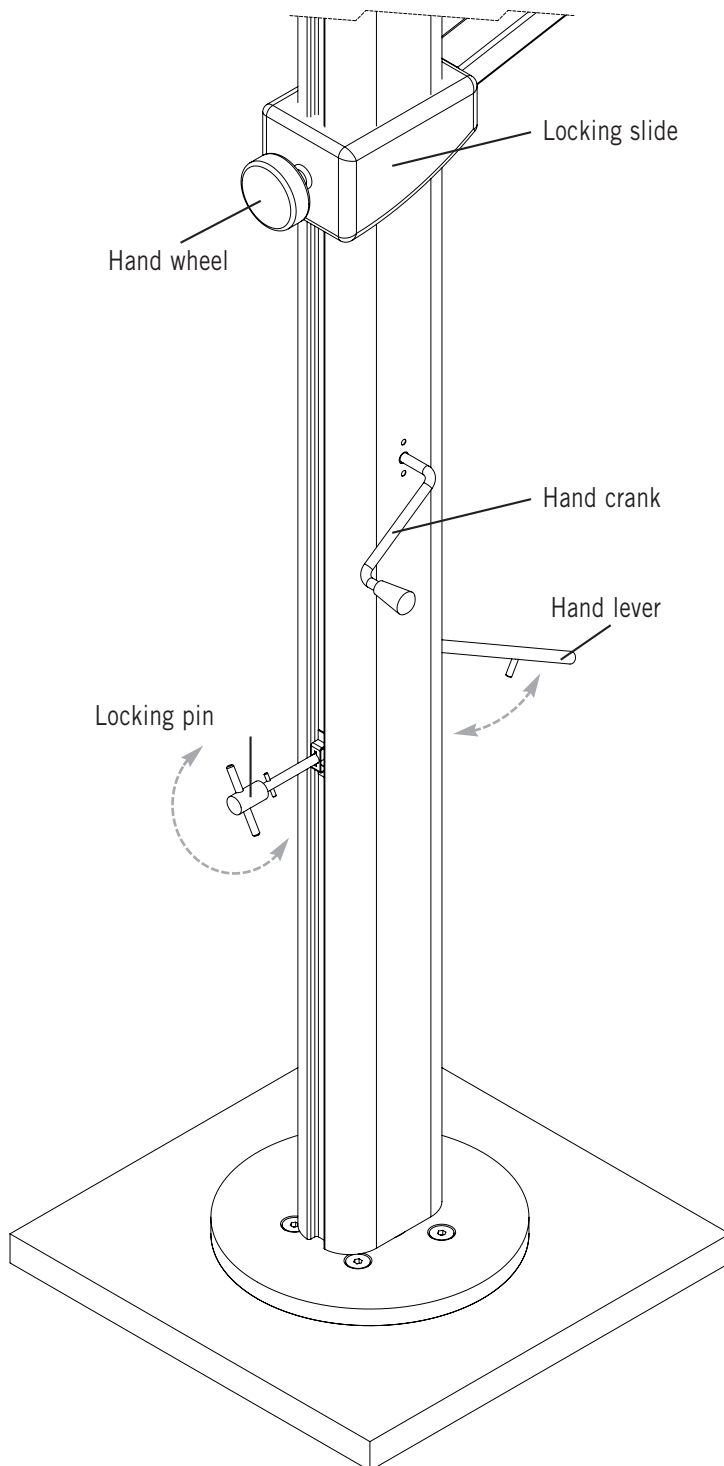
Now align the screw-on sleeve ① as shown by the arrow marking ② (the arrows must lie on top of each other) and screw it to the ground sleeve using the countersunk screws ③. You will need the Allen key ④ to do this.

If necessary, you can remove the umbrella in the winter and seal off the ground sleeve with the winter cover ⑤ provided.

**The screw-on sleeve is included in the scope of delivery of the cantilever umbrella!**

## ASSEMBLY INSTRUCTIONS

# CANTILEVER UMBRELLA FOR 4 X 4 M UMBRELLA MODEL



**Scope of delivery:** 1 x cantilever umbrella, 1 x hand crank, 1 x screw-on sleeve

Fit the cantilever umbrella onto the fully installed screw-on sleeve. Use the locking pin to lock the umbrella in position. Turn the pin to lock it against the pole.

### Putting the umbrella up:

- Step 1: Insert the hand crank.
- Step 2: Release the hand wheel at the umbrella pole.
- Step 3: Crank to open the umbrella canopy.  
(The locking slide automatically moves upward as you do so).
- Step 4: Set the umbrella to the desired angle and tighten the hand wheel.

Fold out the hand lever and use it to rotate the umbrella into the desired position.