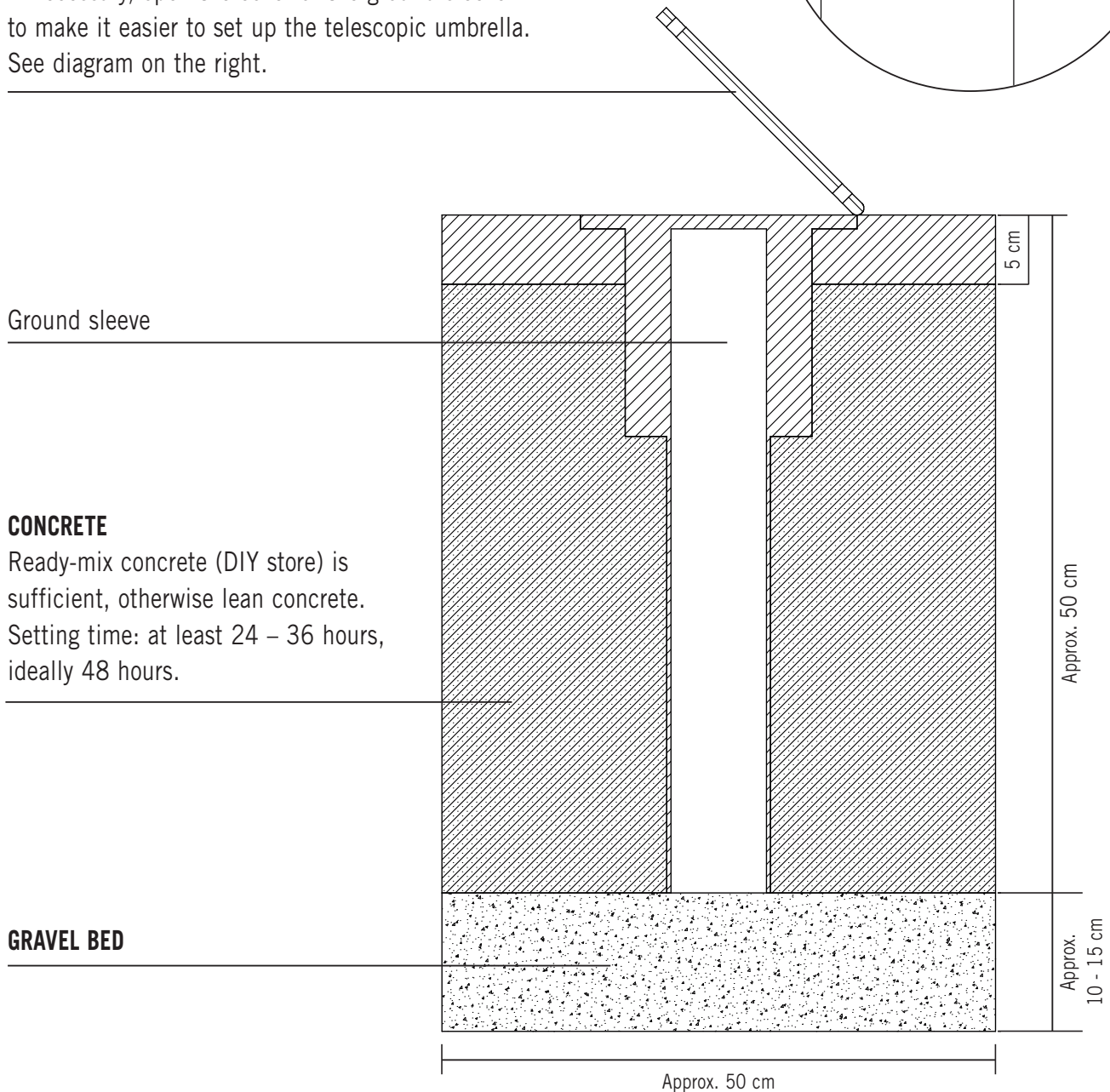
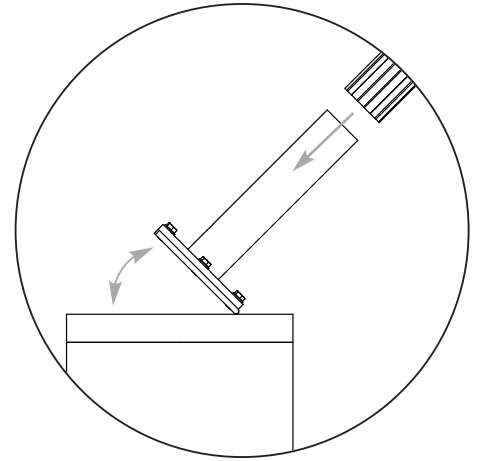


ASSEMBLY INSTRUCTIONS

FOUNDATION FOR TELESCOPIC UMBRELLA GROUND SLEEVE

Dimensions of foundation for all umbrella sizes:
L 50 x B 50 x H 50 cm

If necessary, open the cover of the ground sleeve to make it easier to set up the telescopic umbrella. See diagram on the right.



ASSEMBLY INSTRUCTIONS

FOUNDATION FOR TELESCOPIC UMBRELLA GROUND SLEEVE

Scope of delivery:

1 x ground sleeve, 4 x hex screw M12, 4 x washer

