

DEFINING THE UMBRELLA SIZE:

Note: only for Weishäupl umbrellas with wooden frame (Klassiker, teak, half and basic umbrella)

- Is the umbrella a Weishäupl umbrella? (label with the Weishäupl logo on the inside of the umbrella canopy)
- There are two different types of umbrella struts (see sketch on Page 3)
 - tensioning struts: struts to which the covering fabric is attached (“tensions” the fabric)
 - support struts: strut connecting the tensioning strut and the umbrella pole
- Is the umbrella
 - round/octagonal (all tensioning struts are the same length),
 - square (two tensioning struts of different lengths), or
 - rectangular (three tensioning struts of different lengths)?
- **Features that will help to identify the model of your umbrella:**

Klassiker umbrella:

Wire and connecting elements are silver-colored.

Pulley blocks are made of brass.

Umbrella frame is made of ash (light-colored wood)

Teak umbrella:

Wire and connecting elements are brass-colored. (Since 2019 silver-colored!)

Pulley blocks are made of brass.

Umbrella frame is made of teak (dark-colored wood).

Half umbrella:

Like ‘Klassiker,’ but with a ‘half’ umbrella canopy.

Basic umbrella:

Wire and connecting elements are silver-colored.

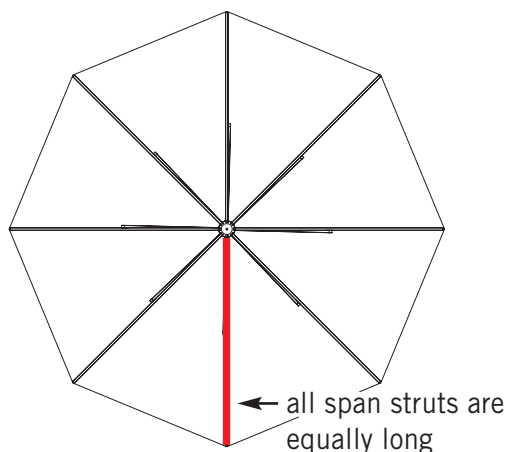
Pulley rollers are made of V2A steel.

Umbrella frame is made of ash (light-colored wood).

Umbrella pole has a diameter of 48 mm.

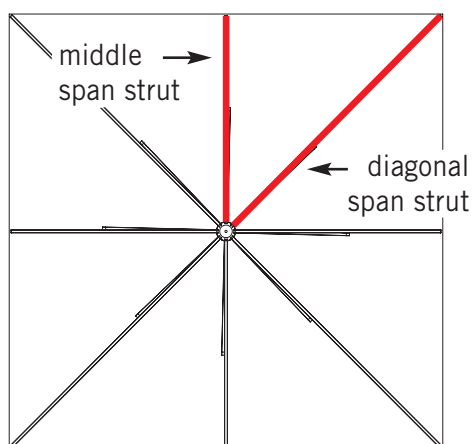
- **To define the umbrella size, please measure the exact length of the highlighted tensioning struts.**
See sketches on the following page.

Round or octagonal umbrella:



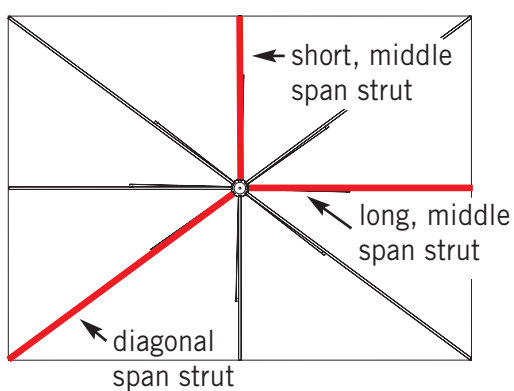
umbrella size	span strut
210 cm \emptyset	104,5 cm
250 cm \emptyset	125 cm
300 cm \emptyset	150 cm
335 cm \emptyset	161 cm
350 cm \emptyset	169 cm
400 cm \emptyset	200 cm
450 cm \emptyset	220 cm
* 500 cm \emptyset	250 cm

Square umbrella:



umbrella size	diagonal span strut	middle span strut
190 x 190 cm	132 cm	–
210 x 210 cm	151 cm	109 cm
250 x 250 cm	174 cm	125 cm
300 x 300 cm	209 cm	149 cm
350 x 350 cm	246 cm	175,5 cm
* 400 x 400 cm	281,5 cm	201 cm

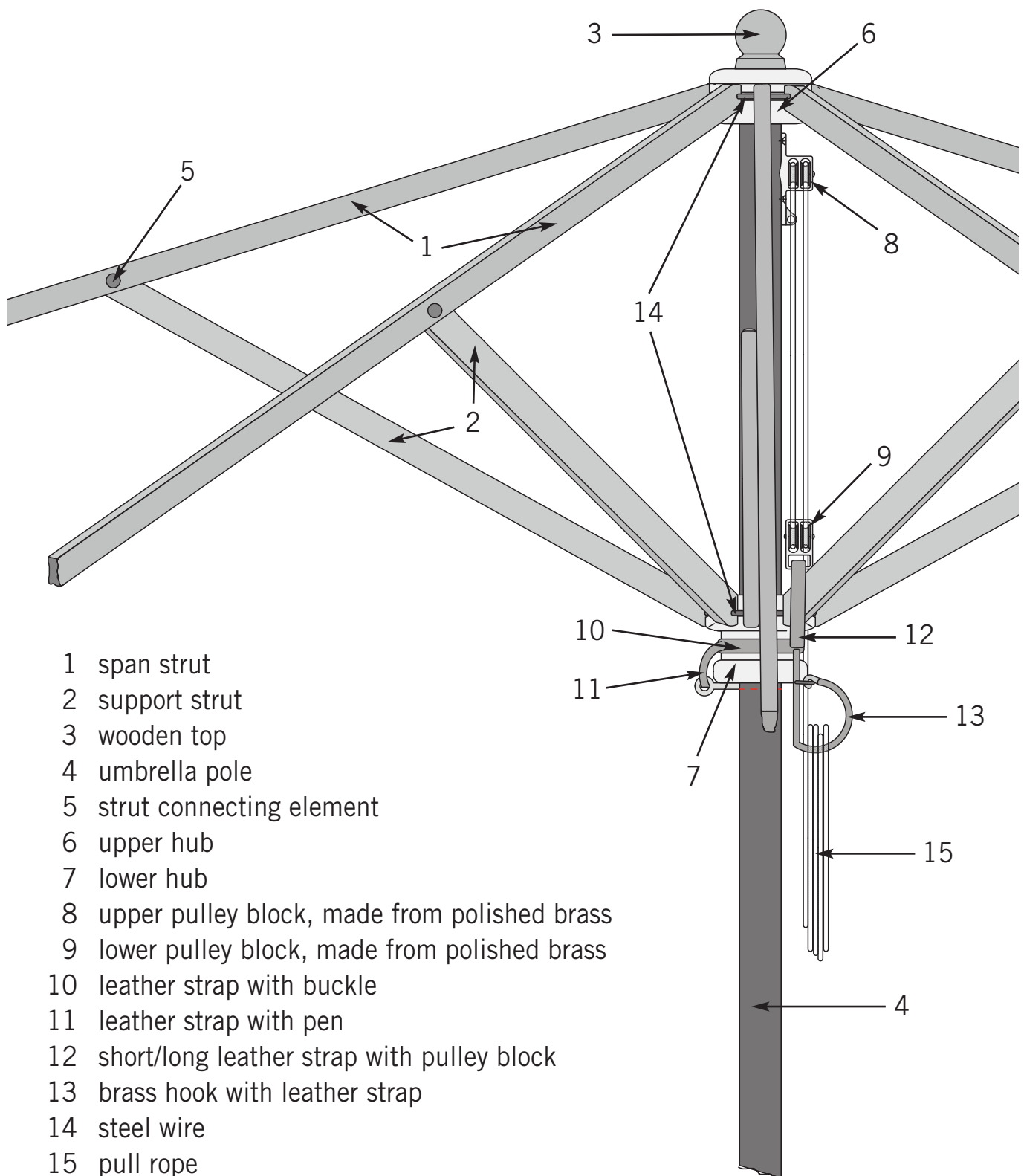
rectangular umbrella:



umbrella size	diagonal span strut	middle span strut	short, middle span strut
150 x 200 cm	123 cm	–	–
150 x 300 cm	209 cm	149 cm	–
175 x 350 cm	246 cm	175,5 cm	–
200 x 400 cm	281,5 cm	201 cm	–
220 x 300 cm	185 cm	151 cm	111,5 cm
260 x 350 cm	215 cm	173 cm	132,5 cm
* 300 x 400 cm	250 cm	201 cm	153,5 cm

* Since May 2008, thicker struts and threaded connections have been used for the two marked models. To avoid misunderstandings, please quote the date of purchase when ordering.

UMBRELLA SPARE PARTS FOR KLASSIKER, TEAK-, HALF- AND BASICUMBRELLA



UMBRELLA SPARE PARTS - ORDER LIST

BY FAX: +49 8036 9068-99 OR E-MAIL: SERVICE@WEISHAEUPL.DE

Type:

Klassiker

Teak Umbrella

Half Umbrella

Basic Umbrella

Form:

Round

Square

Rectangular

Round Size:

210 cm ø

250 cm ø

300 cm ø

335 cm ø

350 cm ø

400 cm ø

450 cm ø

500 cm ø

Square Size:

190 x 190 cm

210 x 210 cm

250 x 250 cm

300 x 300 cm

350 x 350 cm

400 x 400 cm

Rectangular Size:

150 x 200 cm

150 x 300 cm

175 x 350 cm

200 x 400 cm

220 x 300 cm

260 x 350 cm

300 x 400 cm

Pole diameter:

38 mm

48 mm

53 mm

63 mm

Accessories:

Pulley

Tilt

cross-section of the strut: _____

cm

Required spare parts:

CUSTOMER:

Name, bill address:

E-Mail, telephone:
